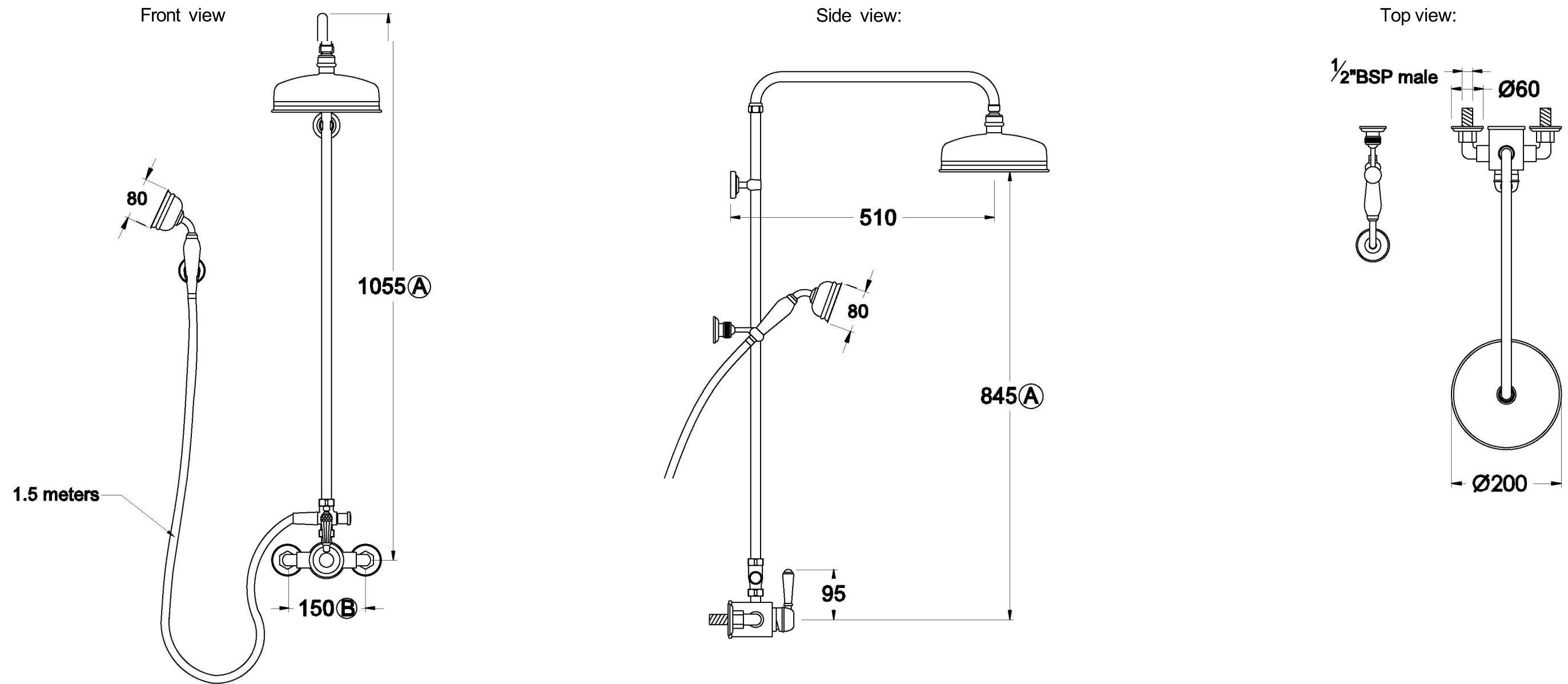


NEU ENGLAND SHOWER MIXER SET WITH KRISTALL LEVER

1.8014.22.8.XX



PRODUCT DIMENSIONS:



Note: G 1/2" BSP female fittings required in the wall
 (B) Fixed center, taps must have 150mm centres
 (A) Maximum, adjustable, can be reduced at installation